
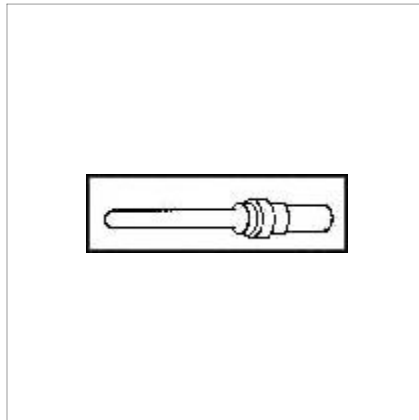


 Search by:  Part Number  Keyword  
   
[Advanced Search](#) | [View all RoHS compliant items](#)


 International Sites

[Home](#) | [Products](#) | [Services](#) | [Order](#) | [About](#) | [Contact](#) | [Help](#) | [Live Technical Support](#)

## Product Detail



Newark InOne Part No.: **44F8721**Manufacturer: **TYCO ELECTRONICS / AMP**Manufacturer Part No.: **205089-1**
 Description: **D-Subminiature Connector; Wire Size (AWG):24-20; Contact Size:20 RoHS Compliant: Yes**

 Availability: **1,739**  
 Pack Details: **Pack of 100**  
 Minimum Order Quantity: **1**  
 Order Multiple Quantity: **1**

 RoHS Compliance:  **Yes**

 Quantity  

Quantity	Price
1 - 4	\$24.89
5 - 9	\$23.08
10 - 24	\$21.13
25 - 49	\$19.88
50 - 99	\$18.77
100 - 249	\$17.52
250 and above	\$17.52



[Substitute and Accessory Items](#)
 [View Substitute Items](#)
[Technical Information](#)
 - [Datasheet](#)
 - [Catalog Page](#)
 - [RoHS Certificate of Compliance](#)
[Download Adobe Reader >>](#)
**Catalog Page**

 Cat. 124: 847  
 Cat. 123: 731  
 Cat. 121: 1354

**Find Similar Products by Attributes**
 RoHS Compliant | Yes

[Manufacturer List](#) | [Live Technical Support](#) | [Help Center](#) | [Privacy Policy](#) | [Site Map](#) | [Terms & Conditions](#) | [Terms of Use](#)

© 2006 Newark InOne


 WEB SITE SUPPORT:  
 1.800.NEWARE.T  
 (1.800.639.2758)

 CONTACT NEWARK INONE:  
 1.800.4.NEWARE  
 (1.800.463.9275)
